



INSULATED STEEL GARAGE DOORS

The Ultimate Performer

SECTIONAL GARAGE DOORS

Insulated Steel Sectional Garage Door

Introduction

Quality is our strength

Blandit commodo, vel lobortis, sit dignissim praesent elit at et vero praesent consequat illum minim lorem dolore molestie laoreet praesent nulla tincidunt. Aliquip ut nisl dolor tation lobortis iusto feugait esse te.

Augue nulla sit in, commodo consectetur eros ut wisi nulla luptatum accumsan, ut euismod feugait wisi luptatum ut feugait luptatum dolore duis.

Augue nulla sit in, commodo consectetur eros ut wisi nulla luptatum accumsan, ut euismod feugait wisi luptatum ut feugait luptatum dolore duis. Et amet tation autem molestie nibh wisi odio ea, consectetur suscipit sciurus in luptatum duis blandit, luptatum nisl blandit, ullamcorper nisl exerci nulla illum in blandit ex nostrud tincidunt consequat.

Suscipit feugiat commodo, consequat in enim veniam sit et exerci dolore ex volutpat consequat nonummy minim. In wisi ut suscipit enim luptatum feugiat, praesent veniam minim duis ut, minim facilisis esse consequat.



Contents

Introduction	2/3	Novomatic 553	13
ISO 45mm White	4/5	Product Catalogue Overview	14/15
ISO 45mm Colour	6/7	Technical Specification	16/17
ISO 45mm Golden Oak	8/9	Notes	18/19
ISO 45mm Safety Features	10	Warranty	20
Novoport	12		

About

Insulated Sectional Garage Door The ultimate performer

The ISO 45mm really is the ultimate. Available in door widths from 6'8" up to 18'0" Elegant looks belie its inherent strength. High grade fittings, double skinned 45mm insulated panel and heavy duty operating gear make the ISO 45mm a top performer Available in pre-finished white and brown woodgrain, Georgian or horizontal ribbed

designs. The operating gear for all doors is designed to take up the minimum of space and offer smooth vertical travel, maximising use of space on your drive and inside the garage. The inherent strength of the panels requires no internal rib bracing, providing a very clean look to the inside of your door. All doors are ideal for remote control automation without modification.

White/Product Information

White

Outside View

- For private garages up to 5.5m wide
- Insulated door leaf made of double-skinned, hot galvanized steel sections with 45mm CFC-Free PUR rigid foam core
- Heat Insulation value $K = \text{approx } 0.50 \text{ W/m}^2\text{K}$ (equivalent to approx. 150cm of wall thickness/ lime sandstone).
- Protection inside and outside against fingers being trapped and spring fracture safety devices on both sides as per DIN EN 12604
- Outside: Polyester prime coated, similar to RAL 9016 standard white
- Inside: Polyester prime coated, similar to RAL 9002 grey white
- Numerous configuration variants for an individual appearance of the door

45mm

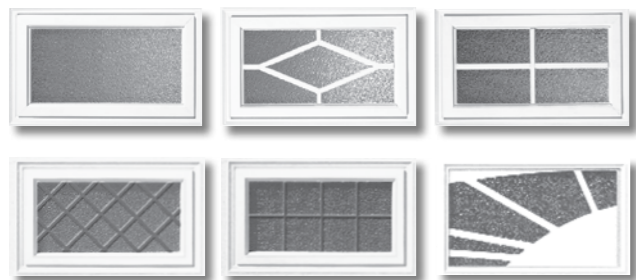


All doors can be enhanced to your taste and surroundings with handle and window options...

Matching doors are available to compliment your main door

Accessories

Window Options



Door Handle Options

Stylise your garage door with these handle options to choose from...



BRASS

SILVER

RUSTIC

STANDARD



The construction of this door panel makes it one of the thickest of all residential panels on the UK market, this helps us to produce doors up to 5500mm wide and heights up to 3000mm

Colour

Colour



Pick a colour,
any colour...!

Complement your home to perfection with our vast range of colours choices, we can supply an exterior colour finish to the door design of your choice, in either any Ral or BS colour with minimal additional cost



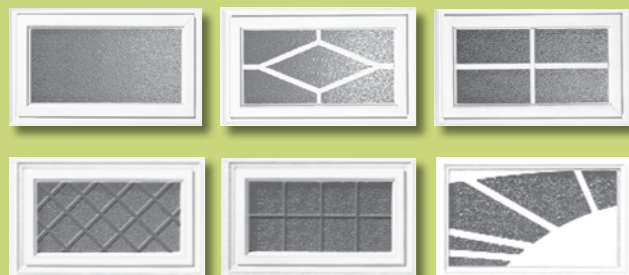
All doors can be enhanced to your taste and surroundings with handle and window options...

Colour is a wonder of life so choose one to suit yours...

Accessories

Window Options

Available in RAL colour to match door



Door Handle Options

Stylise your garage door with these handle options to choose from...



BRASS

SILVER

RUSTIC

STANDARD



Your door can take up a vast portion of the kerbside appeal of your home, so add to that value pick a colour, any colour...!

Golden Oak

Golden Oak

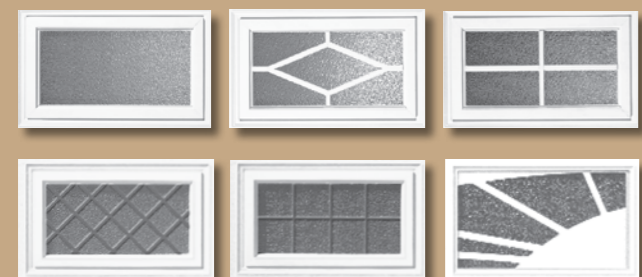


All doors can be enhanced to your taste and surroundings with handle and window options...

Golden oak gives a good representation of a timber door but without the hassle of maintenance, it also harmonises well with the latest PVCu window and doors as similar woodgrain foil colours are used.

Accessories

Window Options



Door Handle Options

Stylise your garage door with these handle options to choose from...



BRASS

SILVER

RUSTIC

STANDARD



Safety Features

Safety is built into all our doors. Thoroughly tested upto and beyond the latest EU safety guidelines to ensure your door will always be safe to operate, whether it's manually operated or automated.



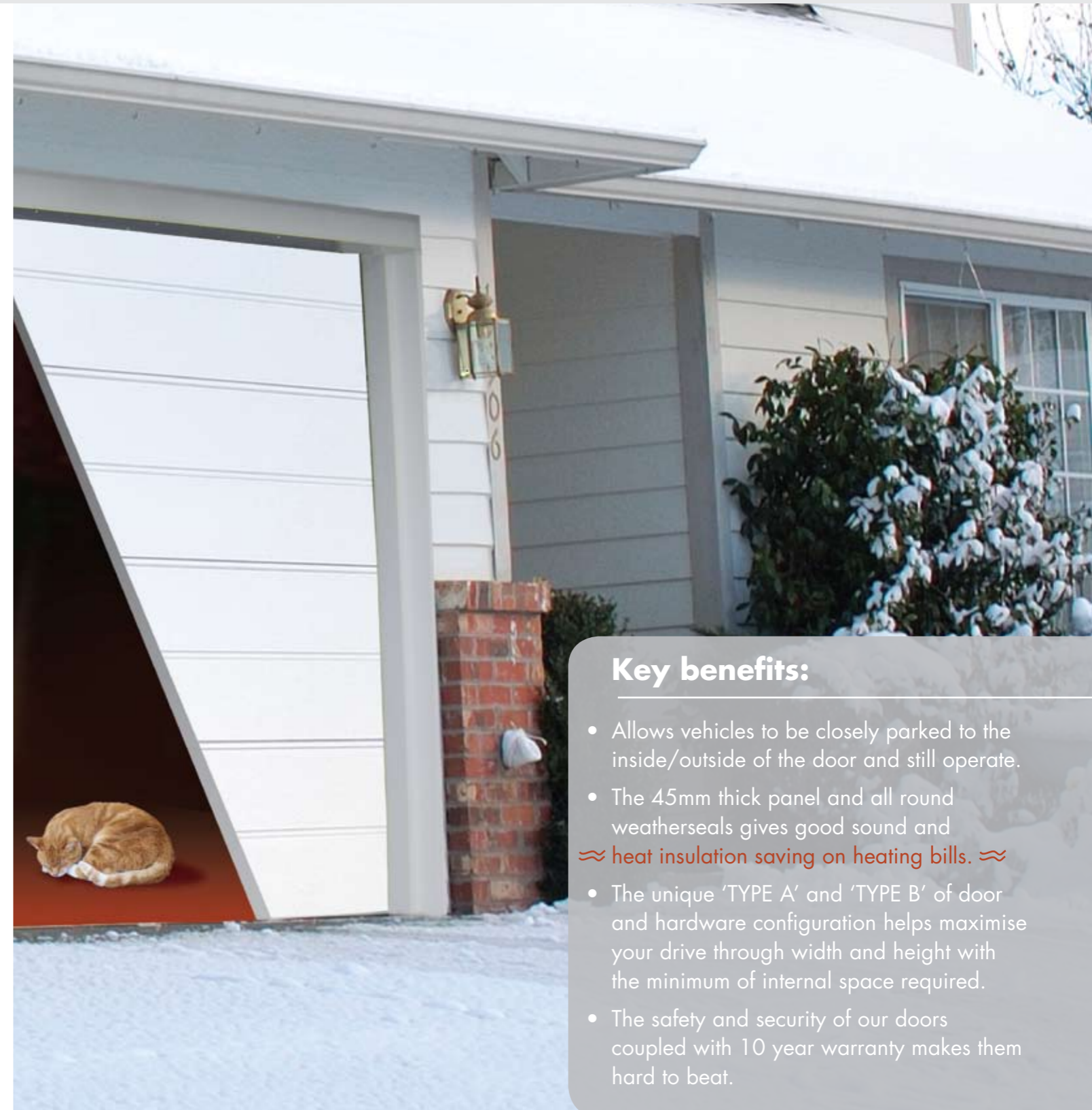
1. All doors feature, panel profiles which prevent fingers being trapped internally or externally while operating the door.

2. The door lifting cables are situated internally between the ends of the door panel and track, this helps prevent possible injuries.

3. The door runs on adjustable rollers within the door track these rollers help align the door properly and prevent the door from falling out of the tracks while in motion.

4. The torsion lifting device features twin springs and cable drums incorporating a safety brake device, this prevents the door from falling to the ground in case of spring failure. The cable drums also feature deep running cable grooves & end flanges to minimise to chance of cable over run.

Customer Benefits



Key benefits:

- Allows vehicles to be closely parked to the inside/outside of the door and still operate.
- The 45mm thick panel and all round weatherseals gives good sound and **≈ heat insulation saving on heating bills. ≈**
- The unique 'TYPE A' and 'TYPE B' of door and hardware configuration helps maximise your drive through width and height with the minimum of internal space required.
- The safety and security of our doors coupled with 10 year warranty makes them hard to beat.

Novoport® EXCLUSIVELY FROM NOVOFERM

Safety is built into all our doors. Thoroughly tested upto and beyond the latest EU safety guidelines to ensure your door will always be safe to operate, whether it's manually operated or automated.



Novoport® Remote control opener with two transmitters
Suitable for Novoferm® sectional doors only,
must be purchased with Novoferm® sectional doors.

Very neat installation

- No extra installation headroom required
- Does not require extra rails or supports.
- Wall mounted control unit with integrated garage lighting and an illuminated push button.

Double latching security

- Excellent security against forced entry. Automatic locking of the operator motor plus additional mechanical latching via the door's top rollers.

"Soft start" and "soft stop" function

- The toothed belt has a protected location within the door track for exceptionally quiet door action and minimum wear and tear.

Direct drive

- The top track serves simultaneously as a track for the drive unit so there is no loss of opening height or space required at the lintel.

Certified safety

- The "Novoport®" garage door system complies with the latest EN standards.

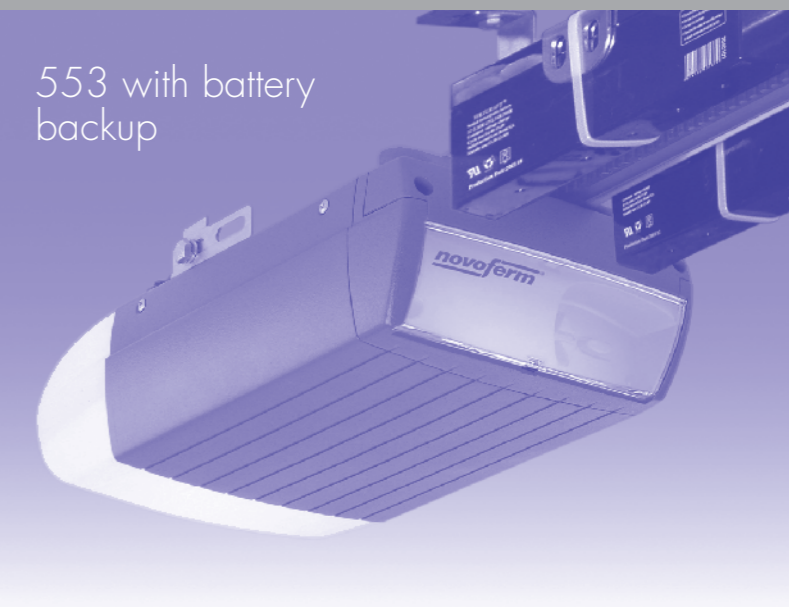
Electronic control

- The microprocessor control unit is menu driven and equipped with a clear 7-segment display. It offers maximum programming simplicity and user comfort with several add-on features to choose from.

Novomatic 553 TRADITIONAL BOOM



553 with battery backup

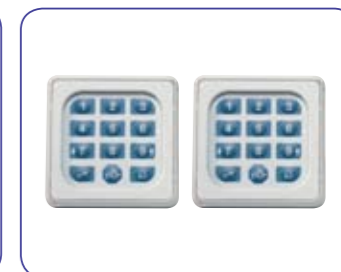


The Novomatic opener is suitable for up and over garage doors and sectional doors. The near silent belt drive operator incorporates a courtesy light and internal quick release. Doors are supplied without a handle as standard and one is not required for doors purchased for use with an operator. If a handle is required it must be specified when ordering.

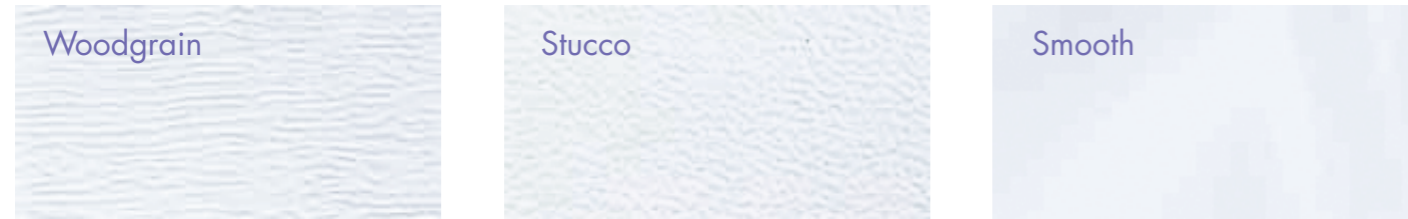
- Two remote handheld transmitters as standard
- Safe and reliable
- Secure - millions of code combinations
- Effortless and stylish to use
- Automatic stop and reverse on contact with obstruction
- Ultra reliable super smooth belt drive
- Simple programmable button technology
- Enhance your system with extra handsets, keypad controls and key switch operation
- Optional cable release in the event of a power failure
- Drive unit fits at 90°

Accessories for Novoport & Novomatic Operators

The openers can be further enhanced with extra transmitters, mini wall mounted push button controllers, key switches, photocells and coded keypads. Please ask for a leaflet for further details.



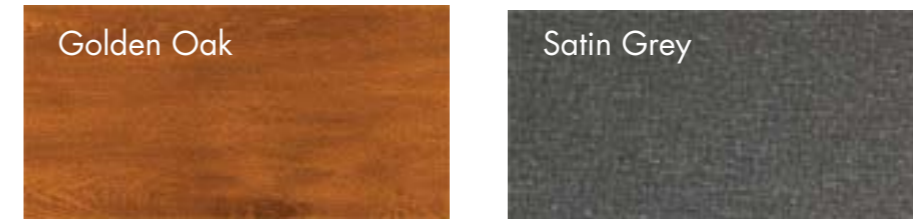
Product Catalogue Overview



Standard Rib													
Finishes:	<table border="0"> <tr><td>Woodgrain</td><td>✓</td></tr> <tr><td>Stucco</td><td>✓</td></tr> <tr><td>Smooth*</td><td>✓</td></tr> <tr><td>Golden Oak</td><td>✓</td></tr> <tr><td>Satin Grey</td><td>✓</td></tr> <tr><td>Colour</td><td>✓</td></tr> </table>	Woodgrain	✓	Stucco	✓	Smooth*	✓	Golden Oak	✓	Satin Grey	✓	Colour	✓
Woodgrain	✓												
Stucco	✓												
Smooth*	✓												
Golden Oak	✓												
Satin Grey	✓												
Colour	✓												

Wide Rib													
Finishes:	<table border="0"> <tr><td>Woodgrain</td><td>✓</td></tr> <tr><td>Stucco</td><td>✓</td></tr> <tr><td>Smooth*</td><td>✓</td></tr> <tr><td>Golden Oak</td><td>✓</td></tr> <tr><td>Satin Grey</td><td>✓</td></tr> <tr><td>Colour</td><td>✓</td></tr> </table>	Woodgrain	✓	Stucco	✓	Smooth*	✓	Golden Oak	✓	Satin Grey	✓	Colour	✓
Woodgrain	✓												
Stucco	✓												
Smooth*	✓												
Golden Oak	✓												
Satin Grey	✓												
Colour	✓												
*Limited RAL colours Iso colour range excludes metallic and pearlescent finishes													

Product Catalogue Overview



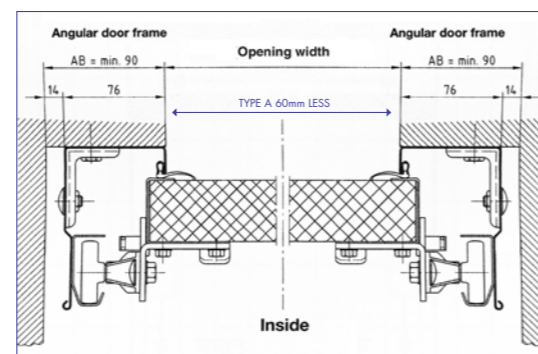
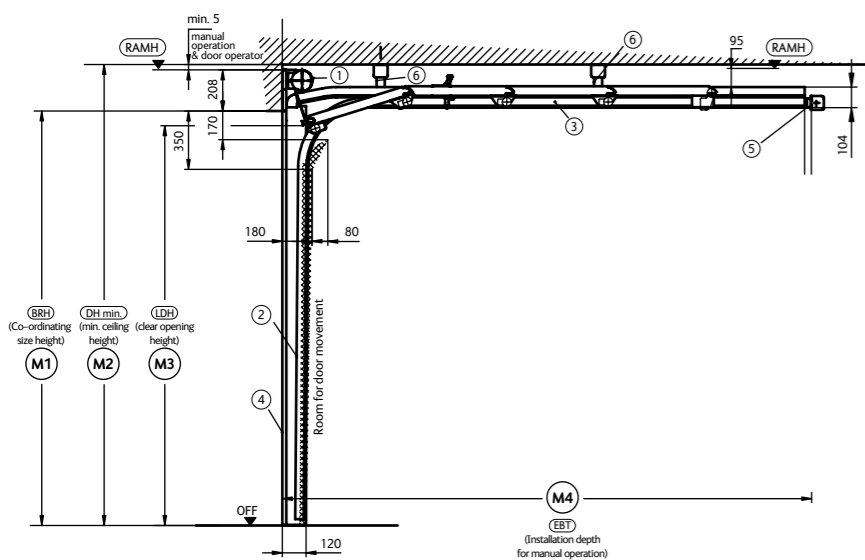
Flush													
Finishes:	<table border="0"> <tr><td>Woodgrain</td><td>✓</td></tr> <tr><td>Stucco</td><td>✓</td></tr> <tr><td>Smooth*</td><td>✓</td></tr> <tr><td>Golden Oak</td><td>✓</td></tr> <tr><td>Satin Grey</td><td>✓</td></tr> <tr><td>Colour</td><td>✓</td></tr> </table>	Woodgrain	✓	Stucco	✓	Smooth*	✓	Golden Oak	✓	Satin Grey	✓	Colour	✓
Woodgrain	✓												
Stucco	✓												
Smooth*	✓												
Golden Oak	✓												
Satin Grey	✓												
Colour	✓												

Panelled													
Finishes:	<table border="0"> <tr><td>Woodgrain</td><td>✓</td></tr> <tr><td>Stucco</td><td>✓</td></tr> <tr><td>Smooth</td><td>-</td></tr> <tr><td>Golden Oak</td><td>✓</td></tr> <tr><td>Satin Grey</td><td>-</td></tr> <tr><td>Colour</td><td>✓</td></tr> </table>	Woodgrain	✓	Stucco	✓	Smooth	-	Golden Oak	✓	Satin Grey	-	Colour	✓
Woodgrain	✓												
Stucco	✓												
Smooth	-												
Golden Oak	✓												
Satin Grey	-												
Colour	✓												
*Limited RAL colours Iso colour range excludes metallic and pearlescent finishes													

Front Mounted Torsion Spring

TECHNICAL SPECIFICATION

M1	M2	M3	M3	M4
		Manual Operation	Door Operator	
	DH min.	LDH	LDH	EBT
1875	2090	1775	1875	2580
1925 (6'6" Type A)	2140	1825	1925	2580
2000 (6'6" Type B)	2215	1900	2000	2580
2075 (7'0" Type A)	2290	1975	2075	2705
2125 (7'0" Type B)	2340	2025	2125	2705
2250	2465	2150	2250	2830
2375	2590	2275	2375	2955
2500	2715	2400	2500	3080
2625	2840	2525	2625	3330
2750	2965	2650	2750	3330
2875	3090	2775	2875	3455
3000	3215	2900	3000	3580
3125	3340	3025	3125	3705

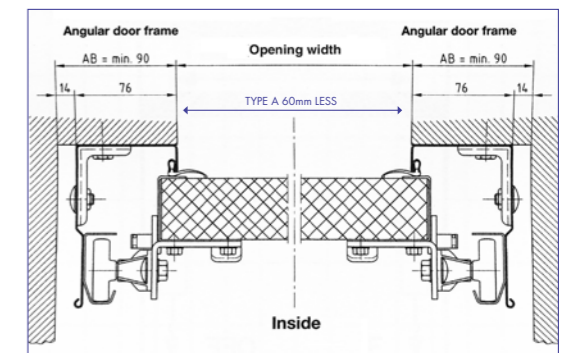
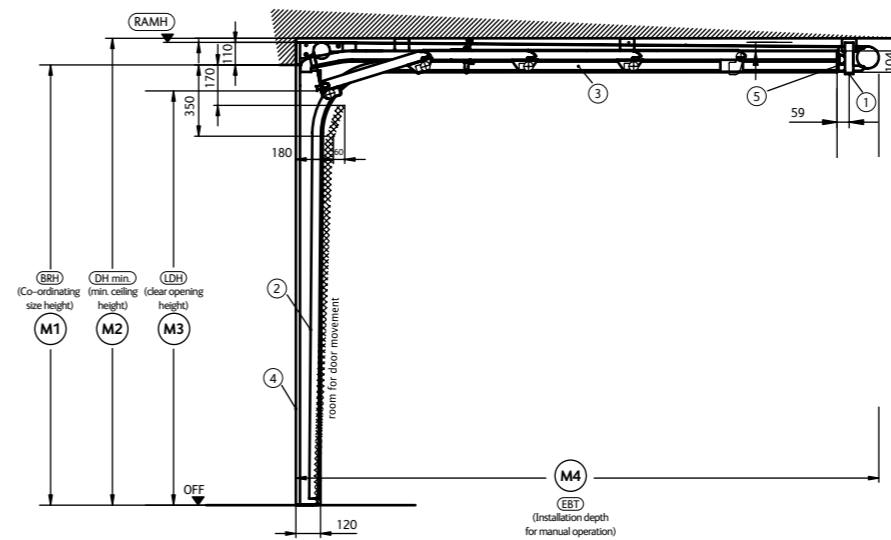


DH min is for manual & doors with Novoport

Rear Mount Torsion Spring

TECHNICAL SPECIFICATION

M1	M2	M3	M3	M4
		Manual Operated	Door Operator	
BRH	DH min.	LDH	LDH	EBT
1875	1990	1775	1875	2756
1925 (6'6" Type A)	2040	1825	1925	2756
2000 (6'6" Type B)	2115	1900	2000	2756
2075 (7'0" Type A)	2190	1975	2075	2881
2125 (7'0" Type B)	2240	2025	2125	2881
2250	2365	2150	2250	3006
2375	2490	2275	2375	3131
2500	2615	2400	2500	3256
2625	2740	2525	2625	3506
2750	2865	2650	2750	3506
2875	2990	2775	2875	3631
3000	3115	2900	3000	3756
3125	3240	3025	3125	3881



DH min is for manual & doors with Novoport

Warranty

All doors are guaranteed against faulty parts and workmanship for a period of 10 years. The finish of the door panel is guaranteed as below:-

Sectional Steel panel	10 years
553 operators/NovoPort	5 years
Accessories for remote controls	1 year

Please refer to our warranty information sheet for full details and terms.

Due to the progressive outlook of the Novoferm Group we reserve the right to alter specifications to design and manufacture without notification. All specifications and details are correct at the time of publication, errors and omissions excepted.

Visual Appearance of Garage Doors - A new garage door can be a significant investment that will transform the appearance of your home. This information is a guide to the quality you can expect.

The Quality Check - This quality check should be carried out in natural daylight, not direct sunlight. Stand at a distance of three metres from the door to view the overall appearance. The door is acceptable if, taking into account the facts below, none of the following are readily visible on the face of the door.

Marks or distortion associated with the manufacturing process

Minor indentations, marks or scuffs on the surface

Paint or stain blemishes

Birkdale Europe Ltd
Birkdale House
14 Wentworth Road
South Park Industrial Estate
Scunthorpe
North Lincolnshire
DN17 2AX

01724 282171
www.birkdale.biz

